



TOKISTAR LIGHTING INSTRUCTION MANUAL

Fixture Type ____ - ____ - ____

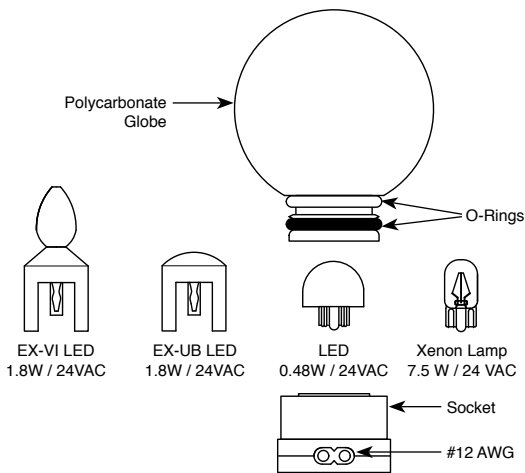
Exhibitor Series

General Description

Tokistar's Exhibitor Series is a low-voltage lighting system using wedge-base light sources enclosed within polycarbonate globes. Light Sources include 1.8 and 0.48 watt solid-state LEDs, and a 7.5 watt Xenon lamp operating at 24 VAC. Each fixture is labeled with wattage and operating voltage.

EXBK - 6 - VI - S14 - C

Cable / Socket Color		Socket Spacing		LED			Globe Style		Globe Color	
Code	Color	Code	Inches (mm)	Code	Color	Watts/Volts	Code	Style	Code	Color
BK	Black	6	6" (150 mm)	UBLW	2000K White	1.8 W / 24 VAC	G19	G-19	C	Clear
WH	White	12	12" (300 mm)	UB	2400K White	1.8 W / 24 VAC	G14	G-14	F	Frosted
		18	18" (450 mm)	VILW	2000K White	1.8 W / 24 VAC	S14	S-14	G	Green
		24	24" (600 mm)	VI	2400K White	1.8 W / 24 VAC			A	Amber
			Custom spacing is available.	Virtual Incandescent (VILW & VI) not for use with Frosted Globes					B	Blue
				WW	2500K White	0.48 W / 24 VAC			R	Red
				WH	5500K White	0.48 W / 24 VAC			V	Violet
				BL	Blue	0.48 W / 24 VAC			M	Multi-Color
				GR	Green	0.48 W / 24 VAC				
				OR	Orange	0.48 W / 24 VAC				
				PL	Purple	0.48 W / 24 VAC				
				RD	Red	0.48 W / 24 VAC				
				YG	Yellow-Green	0.48 W / 24 VAC				
				(Any Combination of 0.48 Watt Colors is Possible)						
				Xenon Lamp						
				124	2500K	7.5 W / 24 VAC				
				Xenon lamp not for use with G-14 globes						



⚠ PRECAUTIONS

1. Read all instructions completely before beginning installation.
2. Turn off electricity before beginning installation.
3. All wiring is to be performed by a qualified electrician.
4. Installation must comply with the National Electrical Code, and all applicable codes.
5. Turn main supply to transformer on only after all connections have been made and tested.
6. Use only transformers provided by Tokistar with the system.

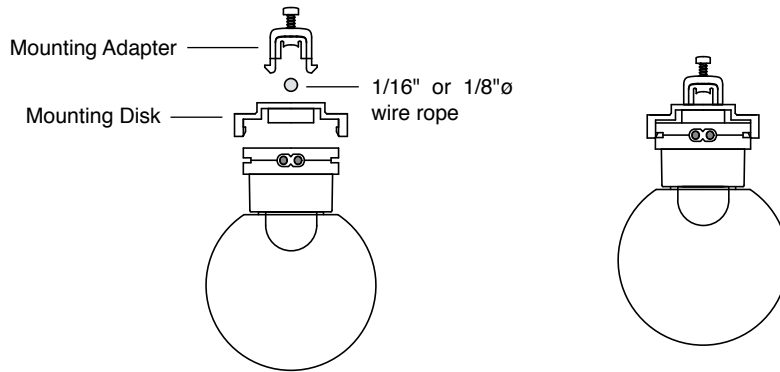
TOKISTAR® LIGHTING

1015 E. Discovery Lane
Anaheim, CA 92801
TEL: 714 772 7005 FAX: 714 772 7014
email: info@tokistar.com Website: tokistar.com

Option 1 - Mounting Fixtures to Wire Rope

Part#: EX-MDA-WH (White) / EX-MDA-BK (Black)

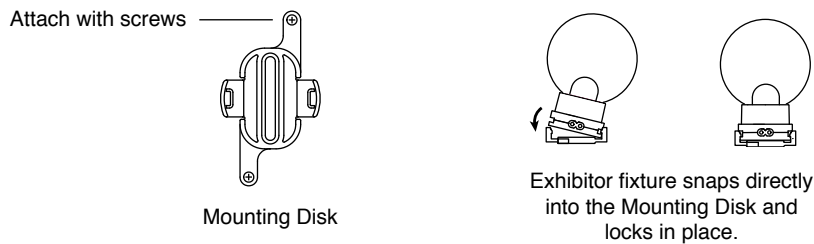
Our wire rope adaptors securely holds each Exhibitor socket in place to 1/16" or 1/8"Ø wire rope.



Option 2 - Surface Mounting with Disks

Part#: EX-MD-WH (White) / EX-MD-BK (Black)

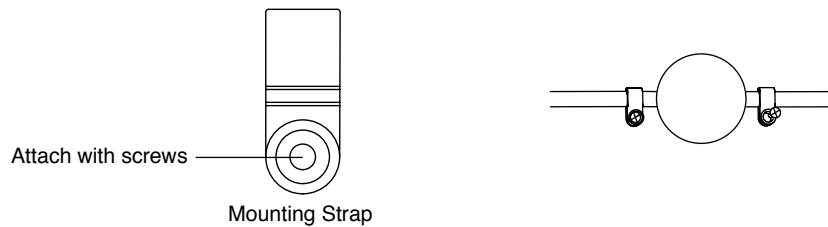
Mounting disks can be screwed in place to a variety of surfaces. Make certain the disks are properly aligned to achieve the desired effect.



Option 3 - Surface Mounting with Straps

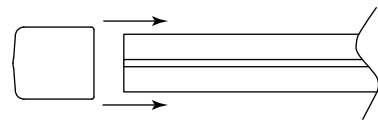
Part#: EX-MS-WH (White) / EX-MS-BK (Black)

Mounting straps can also be used to secure fixtures. Two straps are required per socket.



End Caps - Part#: ECD-WH (White) / ECD-BK (Black)

Exhibitor fixtures are supplied with factory sealed end caps on the end of each run. If it is necessary to trim a fixture, a new end cap must be sealed on the end of the conductor cable with a permanently-bonding adhesive such as silicone.



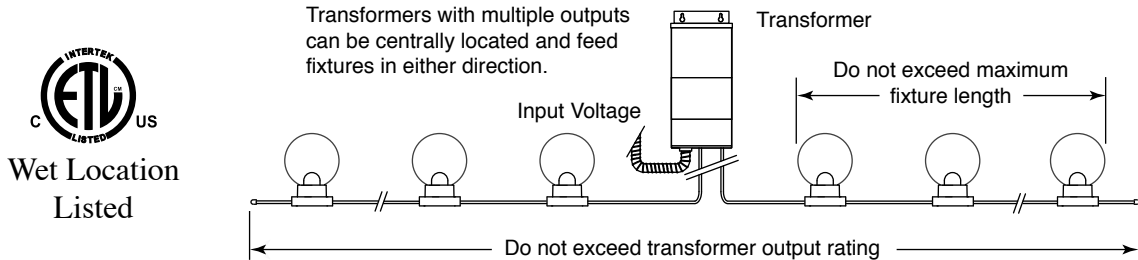
PRECAUTIONS

Exhibitor sockets are permanently affixed to the cable. Do Not Modify Socket Spacing. At no time should the system be operated without the globes in place.

Transformer Instructions

Transformer Location

The maximum recommended distance between the fixture and the transformer varies, based upon the load of each fixture and the size of secondary wire feeding the fixture. It is impossible to give a definitive distance without considering all the variables. Electrical engineers and contractors can calculate these distances. Should you need guidance, consult the factory.



Secondary Circuit Limitation

To minimize voltage drop and keep conductors safely within their limitations, do not exceed the maximum lengths shown for each independent fixture. Conforming to these lengths will ensure no fixture exceeds 20 Amps (480 watts @ 24 volts).

Socket Spacing	Maximum Run Lengths		
	LEDs	UB & VI LEDs	Xenon Lamp
6" (150 mm)	0.48 Watt / 24VAC 250' (76 M)	1.8 Watt / 24VAC 125' (38 M)	7.5 Watt / 24VAC 32' (10 M)
12" (300 mm)	350' (106 M)	200' (60 M)	56' (17 M)
18" (450 mm)	420' (128 M)	225' (68 M)	72' (22 M)
24" (600 mm)	500' (152 M)	250' (76 M)	80' (24 M)

Secondary Circuit Protection

Transformers are provided with circuit breakers to protect secondary circuits. The maximum size circuit breaker on a transformer is 25 amps, but the circuit wired to the breaker **MUST NOT EXCEED 20 AMPS**.

There are several transformer sizes available, and different size breakers installed in them. For applications with multiple output transformers the total load should not exceed the breakers rating, and the total combined load of all outputs should not exceed the transformers rating.

⚠ PRECAUTIONS

Transformers should be installed in an accessible location. Magnetic transformers generate heat and must be installed in locations where there is free-air circulation.

For additional information, please refer to the instruction manual provided with your transformer.

TOKISTAR® LIGHTING
 1015 E. Discovery Lane
 Anaheim, CA 92801
 TEL: 714 772 7005 FAX: 714 772 7014
 email: info@tokistar.com Website: tokistar.com