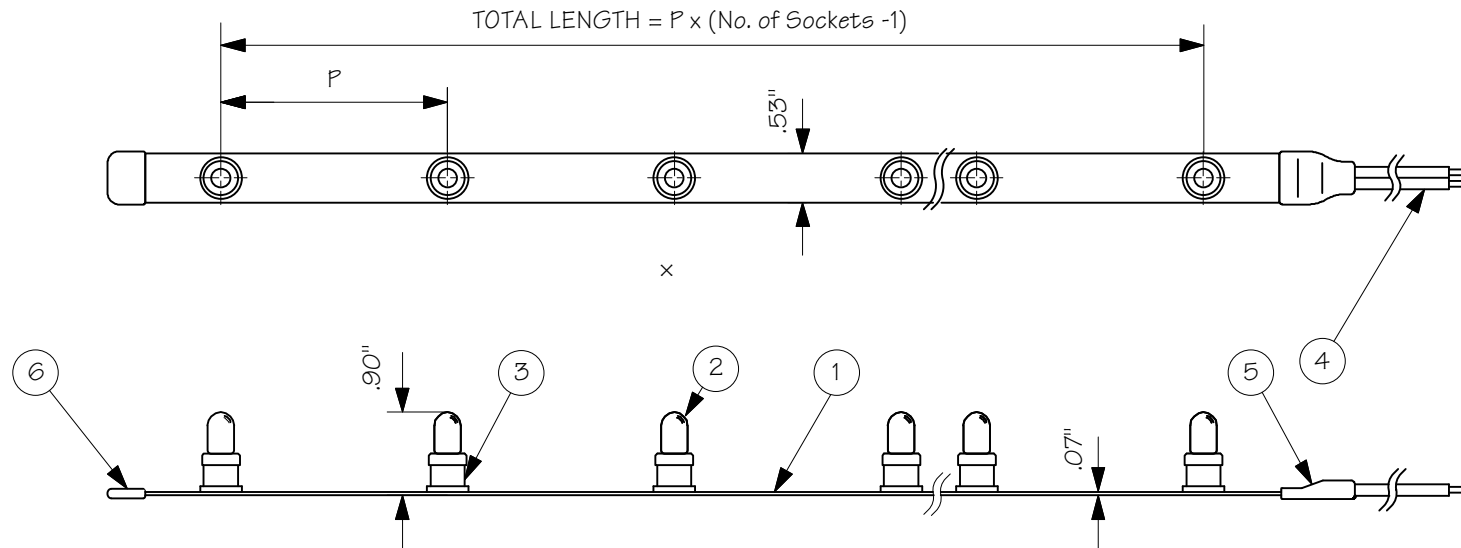


# LS-1.8 Watt Incandescent



CATALOG#	P (INCH)	MAX. LENGTH
LSW-30-105a	1.2 ± .08	15 FT.
LSW-50-105a	2 ± .08	26 FT.
LSW-80-105a	3 ± .12	34 FT.
LS(W,C,B)-100-105a	4 ± .16	40 FT.
LS(W,C,B)-150-105a	6 ± .20	48 FT.
LS(W,C,B)-300-105a	12 ± .40	72 FT.

1.8 WATT LAMP 24VAC/75mA			
PART #	LAMP CODE	COLOR	LUMEN
TB-105a	105a	2000K WHITE	3.8Lm

LS CABLE COLOR CODE: W=WHITE, C=CLEAR, B=BROWN  
 CLEAR AND BROWN AVAILABLE IN 4", 6" AND 12" SPACING ONLY



## TOKISTAR LIGHTING INC.

1561 N. GEMINI PL.  
 ANAHEIM, CA 92801  
 TEL: 714 772 7005 FAX: 714 772 7014  
 email: info@tokistar.com Website: tokistar.com

TAPELIGHT SERIES SUBMITTAL	NO.	PART	MATERIAL
CATALOG#: LS_-_105a	1	CABLE	PVC INSULATION WITH PLATED COPPER CONDUCTOR
DATE: NOVEMBER 3, 2008	2	LAMP	INCANDESCENT LAMP
DRAWN BY: R. CORDOVA	3	SOCKET	POLYCARBONATE WITH PLATED COPPER CONTACTS
SCALE: 1:2	4	LEAD WIRE	PVC INSULATION WITH PLATED #12 AWG X 2
WEIGHT: 31g/ft.	5	CORD PROTECTOR	PVC
	6	END CAP	PVC