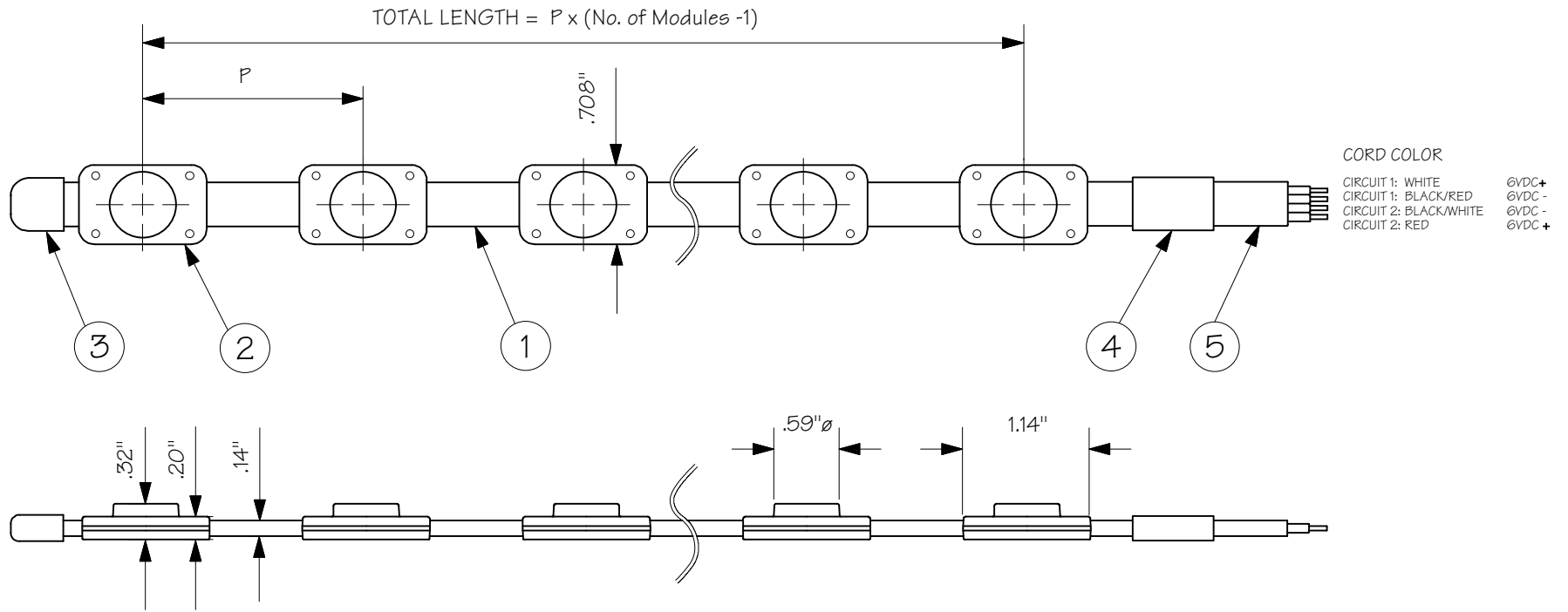


TOKILUM Series



| CATALOG # | P (INCH) | KELVIN | MAX LENGTH |
|------------|----------|--------|------------|
| LUM-50-IW | 2 ± .08 | 3000K | 20 FT. |
| LUM-50-WH | 2 ± .08 | 6500K | 20 FT. |
| LUM-100-IW | 4 ± .16 | 3000K | 40 FT. |
| LUM-100-WH | 4 ± .16 | 6500K | 40 FT. |

| TOKILUM LED SPECIFICATIONS | | | |
|----------------------------|-------|--------|------------|
| VOLTAGE: 6VDC | | | |
| CURRENT: 80mA | | | |
| POWER: 0.48W | | | |
| LED CODE | COLOR | OUTPUT | WAVELENGTH |
| IW | 3000K | 8.1Lm | 475.0 |
| WH | 6500K | 9.8Lm | 479.3 |



TOKISTAR LIGHTING INC.

1561 N. GEMINI PL.
ANAHEIM, CA 92801
TEL: 714 772 7005 FAX: 714 772 7014
email: info@tokistar.com Website: tokistar.com

| TOKILUM SERIES SUBMITTAL | NO. | PART | MATERIAL |
|--------------------------|-----|-------------|--|
| CATALOG#: LUM-(50.100)-_ | 1 | CABLE | PVC INSULATION WITH PLATED #18 AWG X 4 |
| DATE: OCTOBER 31, 2008 | 2 | LED | SOLID STATE LED |
| DRAWN BY: R. CORDOVA | 3 | END CAP | PVC |
| SCALE: 1:1.5 | 4 | SHRINK TUBE | POLYOLEFIN |
| WEIGHT: 43 g/ft. | 5 | LEAD WIRE | PVC INSULATION WITH PLATED #18 AWG X 4 |