



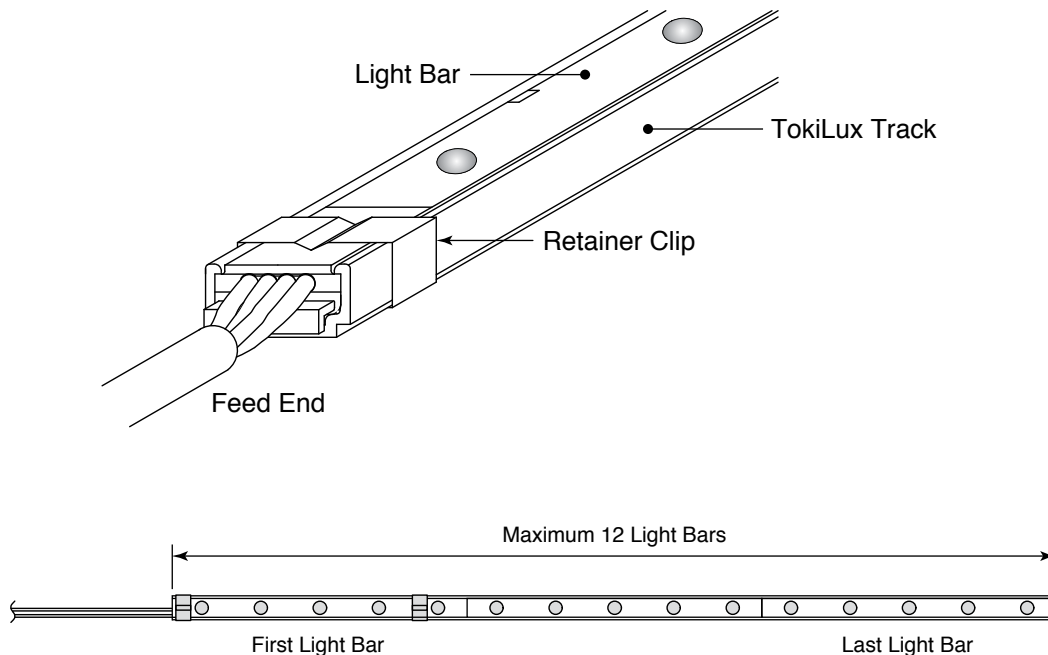
TOKISTAR LIGHTING INSTRUCTION MANUAL

TokiLux™ KT Kelvin Tuning Series

24VDC

General Description

Tokistar's TokiLux KT Series operates at 24VDC. Light Bars are installed end-to-end within the TokiLux track. Each Light Bar contains five LEDs and consumes a total of 4 watts. An individual run length may contain up to 12 Light Bars. Multiple tracks can be interconnected with up to 12 Light Bars from a single feed point. Each track is labeled with wattage and operating voltage.



PRECAUTIONS

1. Read all instructions completely before beginning installation.
2. Turn off electricity before beginning installation.
3. All wiring is to be performed by a qualified electrician.
4. Installation must comply with the National Electrical Code, and all applicable codes.
5. Turn main supply to the LED driver on only after all connections have been made and tested.
6. Use only LED drivers provided by Tokistar with the system.

TOKISTAR® LIGHTING

1015 E. Discovery Lane
Anaheim, CA 92801

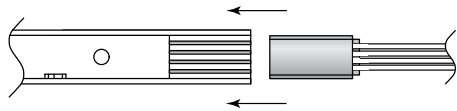
TEL: 714 772 7005 FAX: 714 772 7014
email: info@tokistar.com Website: tokistar.com

Connectors

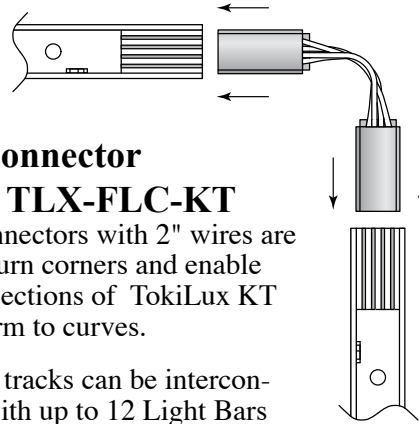
Feed Connector

Part#: TLX-CON-KT

Feed Connectors bring power to one end of a TokiLux KT run. Up to 12 Light Bars can be powered from a single connector.



Do Not Snap Connectors in place from above. Slide in place.



Flex Connector

Part#: TLX-FLC-KT

Flex Connectors with 2" wires are used to turn corners and enable smaller sections of TokiLux KT to conform to curves.

Multiple tracks can be interconnected with up to 12 Light Bars from a single feed point.

Retainer Clips

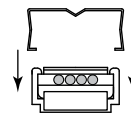
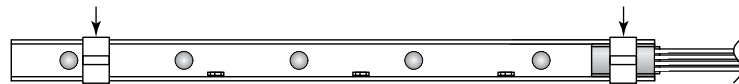
Retainer clips are included with Feed Connectors and Flex Connectors.

Feed Connector Assembled

A Retainer Clip is required between the 4th and 5th LED of the 1st Light Bar

Retainer Clip on Feed Connector

Retainer Clips snap in place from above.



Flex Connector Assembled

A Retainer Clip is required between the 4th and 5th LED of the 1st Light Bar

Retainer Clip on Flex Connector

Retainer Clip on Flex Connector

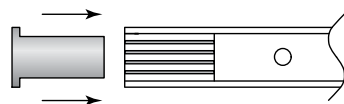
A Retainer Clip is required between the 4th and 5th LED of the adjoining Light Bar



End Cap

Part#: TLX-ED-KT

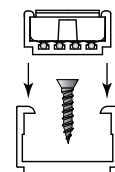
End Caps insulate the end of a run of TokiLux KT.



Mounting Clamp

Part#: TLX-CP

Mounting clamps are attached with screws and the Tokilux KT fixture is snapped in place. Recommended spacing is every 12".



Mounting Clamp

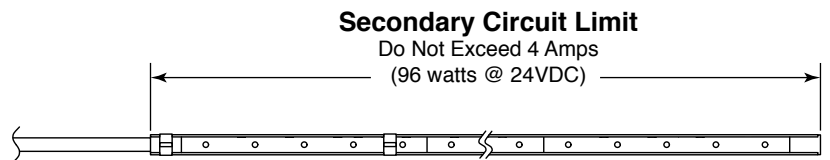
Fixture Lengths

Fixtures cannot be trimmed on site, so the overall length is based upon the number of Light Bars included. Check the sizes and lengths chart for precise measurements.

| Part Number | Bars | Watts | Length | |
|------------------------|------|-------|---------|----------|
| TLX-(Ordering Code)-1 | 1 | 4 | 9.875" | 250 mm |
| TLX-(Ordering Code)-2 | 2 | 8 | 17.75" | 450 mm |
| TLX-(Ordering Code)-3 | 3 | 12 | 25.625" | 650 mm |
| TLX-(Ordering Code)-4 | 4 | 16 | 33.5" | 850 mm |
| TLX-(Ordering Code)-5 | 5 | 20 | 41.375" | 1,050 mm |
| TLX-(Ordering Code)-6 | 6 | 24 | 49.25" | 1,250 mm |
| TLX-(Ordering Code)-7 | 7 | 28 | 57.125" | 1,450 mm |
| TLX-(Ordering Code)-8 | 8 | 32 | 65" | 1,650 mm |
| TLX-(Ordering Code)-9 | 9 | 36 | 72.875" | 1,850 mm |
| TLX-(Ordering Code)-10 | 10 | 40 | 80.75" | 2,050 mm |
| TLX-(Ordering Code)-11 | 11 | 44 | 88.625" | 2,250 mm |
| TLX-(Ordering Code)-12 | 12 | 48 | 96.5" | 2,450 mm |

Secondary Circuit Wiring

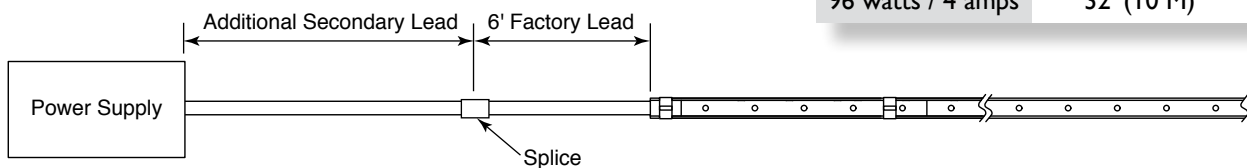
A maximum of 24 Light Bars can be powered on one circuit from the power supply.



Recommended Lead Wire Size

Leads on feed connectors are 6 ft. long. Additional lead wire may be spliced on by the installer in order to reach remote LED driver locations. The length of and the load on the secondary circuit will determine the proper size of secondary wire. This chart provides recommended length of the secondary circuit using #18 AWG based upon the loads shown.

| Secondary Lead Wires | |
|----------------------|-------------|
| Load / Amps | Wire Length |
| 24 watts / 1 amp | 130' (40 M) |
| 48 watts / 2 amps | 98' (30 M) |
| 72 watts / 3 amps | 65' (20 M) |
| 96 watts / 4 amps | 32' (10 M) |



LED Driver Installation

LDR24-96

This 96 Watt Class 2 LED driver converts an AC input into a 24VDC output. Refer to the manual provided with the LED driver for detailed installation instructions.

| Part# | Input Volts | Output Volts | Output Ratings |
|----------|-------------|--------------|----------------|
| LDR24-96 | 100~277 | 24VDC | 1 @ 4 Amps |

LDR24-192

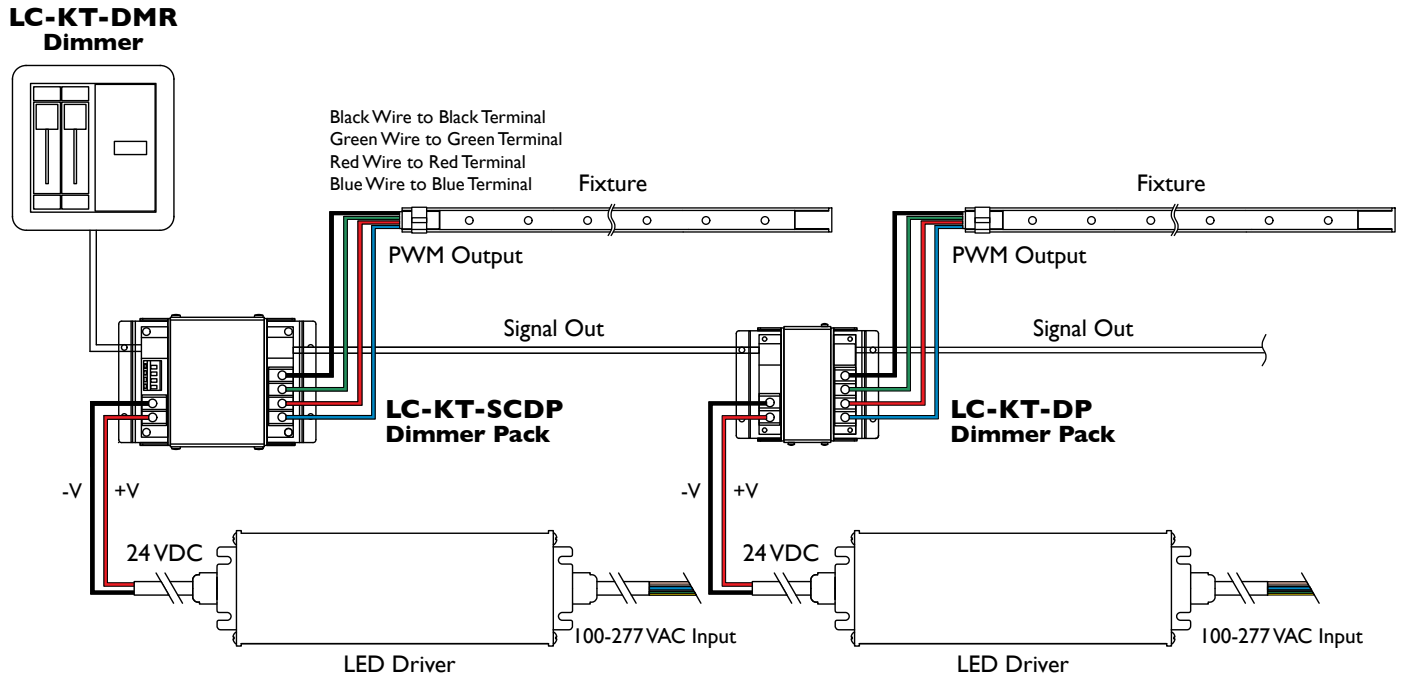
Tokistar's LDR24-192 has two independent 96 watt outputs. If the system is dimmed, each output requires an independent dimmer pack. This unit has wiring compartments for splicing on input and output leads, and can be connected directly to conduit. Refer to the manual provided with the LED driver for detailed installation instructions.

| Part# | Input Volts | Output Volts | Output Ratings |
|-----------|-------------|--------------|----------------|
| LDR24-192 | 100~277 | 24VDC | 2 @ 4 Amps |

⚠ PRECAUTIONS
Do Not Exceed 4 Amps Per Circuit.

KT Dimming System

This proprietary dimming system provides the ability to tune in a kelvin temperature with one slide, and full-range dimming of the selected choice with the other. The LC-KT-DMR Wall Dimmer connects to one LC-KT-SCDP Dimmer Pack. Up to 25 LC-KT-DP Dimmer Packs may be connected in series if the total length of all CAT5 cable does not exceed 165 feet from the wall dimmer to the last dimmer pack. CAT5 cables are included with units.



Dual output LED drivers require a dimmer pack for each output.

TokiLux fixtures are ETL Listed when operated from our LED Drivers.



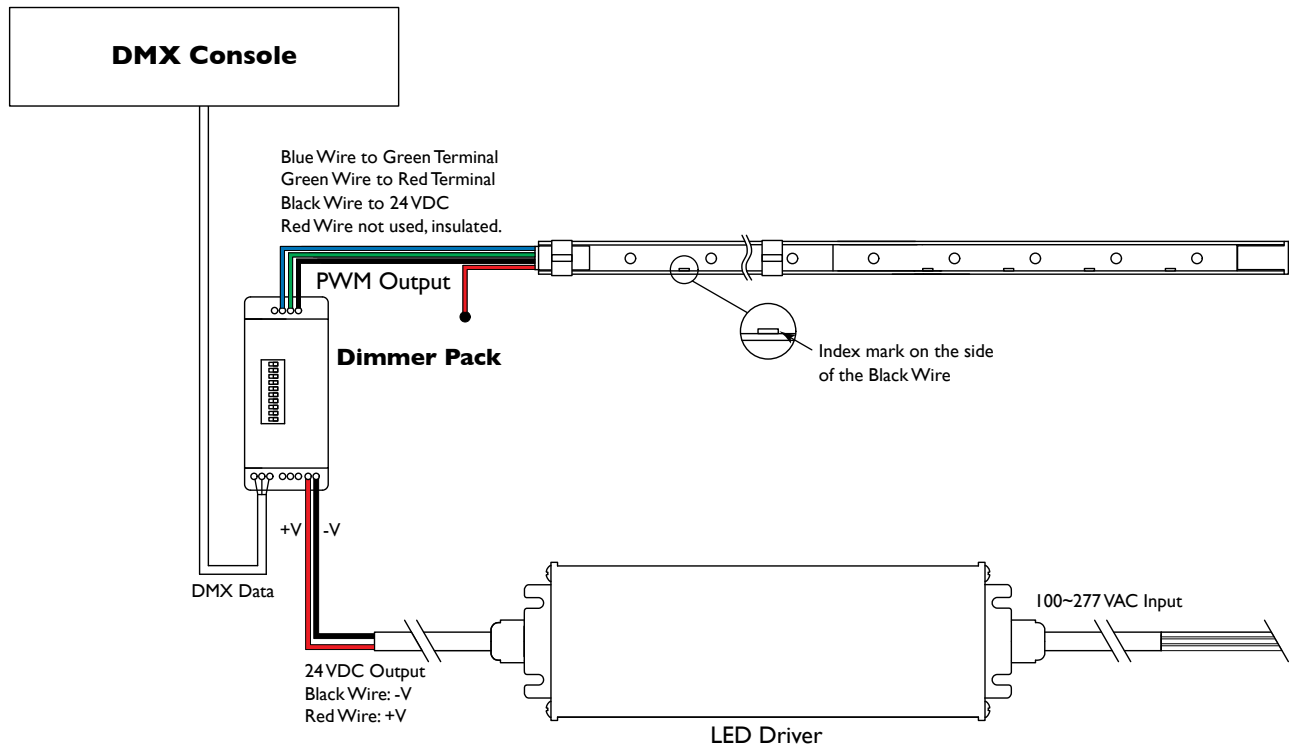
⚠ PRECAUTION

All dimming components are rated for dry location only. They must be installed within an enclosure suitable for the environment.

DMX Dimming System

TokiLux KT may be operated from addressable DMX systems with a minimum of two address outputs and Master Dimming control capability. Each of our DMX Dimmer Pack/Driver combinations is capable of operating up to twenty-four 4 watt LED Bars (96 Watts maximum). Up to 36 Dimmer Packs can be linked together. A Splitter is required for longer runs.

For further information, refer to the instruction manual provided with the LC-3CH-DMX.



Dual output LED drivers require a dimmer pack for each output.

PRECAUTION

All dimming components are rated for dry location only. They must be installed within an enclosure suitable for the environment.

TOKISTAR® LIGHTING
 1015 E. Discovery Lane
 Anaheim, CA 92801
 TEL: 714 772 7005 FAX: 714 772 7014
 email: info@tokistar.com Website: tokistar.com